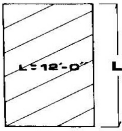
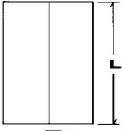
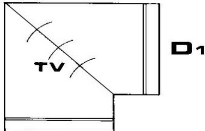
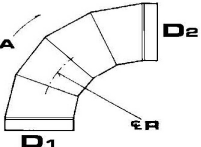
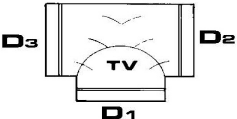
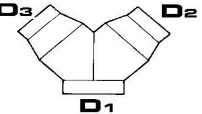
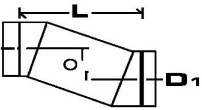
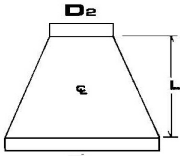
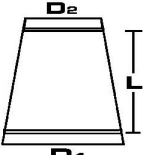
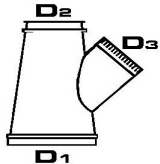
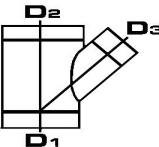
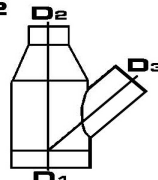
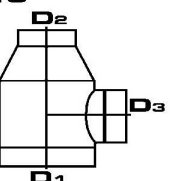
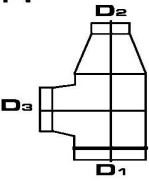
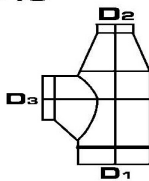
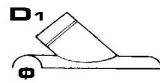
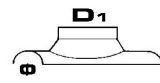

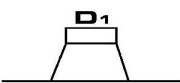
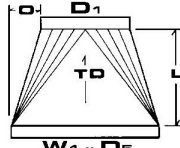
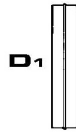





ROUND

<p>R-1</p>  <p>D₁ SPIRAL</p>	<p>R-2</p>  <p>D₁ LONGITUDINAL SEAM</p>	<p>R-3</p>  <p>D₁ SQUARE ELL 2-PC</p>	<p>R-4</p>  <p>D₁ D₂ RADIUS ELL 90°</p>	<p>R-5</p>  <p>D₃ D₂ D₁ BULLHEAD TEE</p>	<p>R-6</p>  <p>D₃ D₂ D₁ PANTS - WYE</p>
<p>R-7</p>  <p>OFFSET</p>	<p>R-8</p>  <p>D₂ D₁ REDUCER</p>	<p>R-9</p>  <p>D₂ D₁ TAPER</p>	<p>R-10</p>  <p>D₂ D₃ D₁ LOW PRESSURE WYE</p>	<p>R-11</p>  <p>D₂ D₃ D₁ LATERAL WYE</p>	<p>R-12</p>  <p>D₂ D₃ D₁ REDUCING LATERAL WYE</p>
<p>R-13</p>  <p>D₂ D₃ D₁ 90° TEE</p>	<p>R-14</p>  <p>D₂ D₃ D₁ CONICAL TEE</p>	<p>R-15</p>  <p>D₂ D₃ D₁ LOW LOSS TEE</p>	<p>R-16</p>  <p>D₁ SADDLE TAP</p>	<p>R-17</p>  <p>D₁ CONICAL SADDLE TAP</p>	<p>R-18</p>  <p>D₁ SADDLE TAP FLAT</p>
<p>R-19</p>  <p>D₁ CONICAL SADDLE FLAT</p>	<p>R-20</p>  <p>D₁ D₁ D₅ W₁ L SQAURE TO ROUND</p>	<p>R-21</p>  <p>D₁ COUPLING</p>	<p>R-22</p>  <p>D₁ END CAP</p>	<p>R-23</p>  <p>D₁ FLEX CONNECTOR</p>	<p>R-24</p>  <p>D₁</p>